

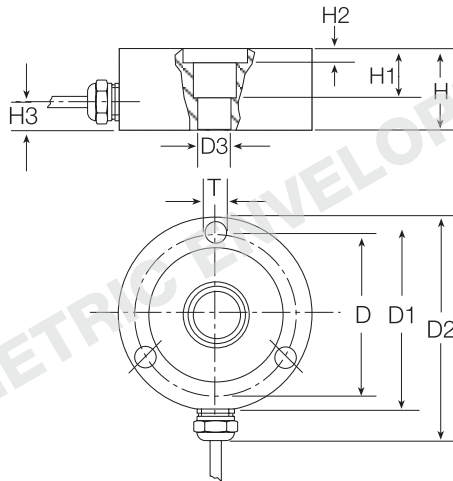
RLC Compression Canister, Stainless Steel

NTEP 1:10,000 Class IIIIL, Hermetically sealed, IP66/68



Picture is a representation of actual product

(Available upon request)



SPECIFICATIONS:

Full Scale Output:	2.0 mV/V
Bridge Resistance:	1000 ohms
Material/Finish:	Stainless steel
Temperature:	Operating range -22°F to 158°F/-30°C to 70°C Compensated range 14°F to 104°F/-10°C to 40°C
Manufacturer Model Number:	RLC-B10-XX-5MP1

Safe Overload:	150% Full scale
Safe Sideload:	100% Full scale
Rated Excitation:	10V DC (15V maximum)
Combined Error:	0.02% Full scale
Insulation Resistance:	>5000 megohms
Seal Type:	Hermetically sealed, IP66/68
Cable Length:	3 m (500-1000 kg) 5 m (2000-5000 kg)

Cable Color Code:	Pink..... + Excitation Grey..... - Excitation Brown..... + Signal White..... - Signal
Warranty:	One-year limited warranty

Approvals:



DIMENSIONS

Rated Capacity	D	D1	D2	D3	H	H1	H2	H3	T
kg/mm									
500-1000	70.0	80.0	97.5	10.0	25.0	15.0	1.0	9.5	M6 (3x120°)
2000-5000	70.0	80.0	97.5	15.0	30.0	20.0	6.0	8.5	M6 (3x120°)
lb/inches									
1102.3-2204.6	2.76	3.15	3.84	.40	.99	.60	.04	.37	M6 (3x120°)
4409.2-11,023.1	2.76	3.15	3.84	.60	1.18	.79	.24	.33	M6 (3x120°)

RLC Order Information

Load Rating	Part #	Price
500 kg (1102.3 lb)	36190	\$625.00
1000 kg (2204.6 lb)	36191	\$625.00
2000 kg (4409.2 lb)	36192	\$625.00
3500 kg (7717.5 lb)	36193	\$625.00
5000 kg (11,023.1 lb)	36194	\$625.00

Weigh Module Available

Model	Page #
RLC	56